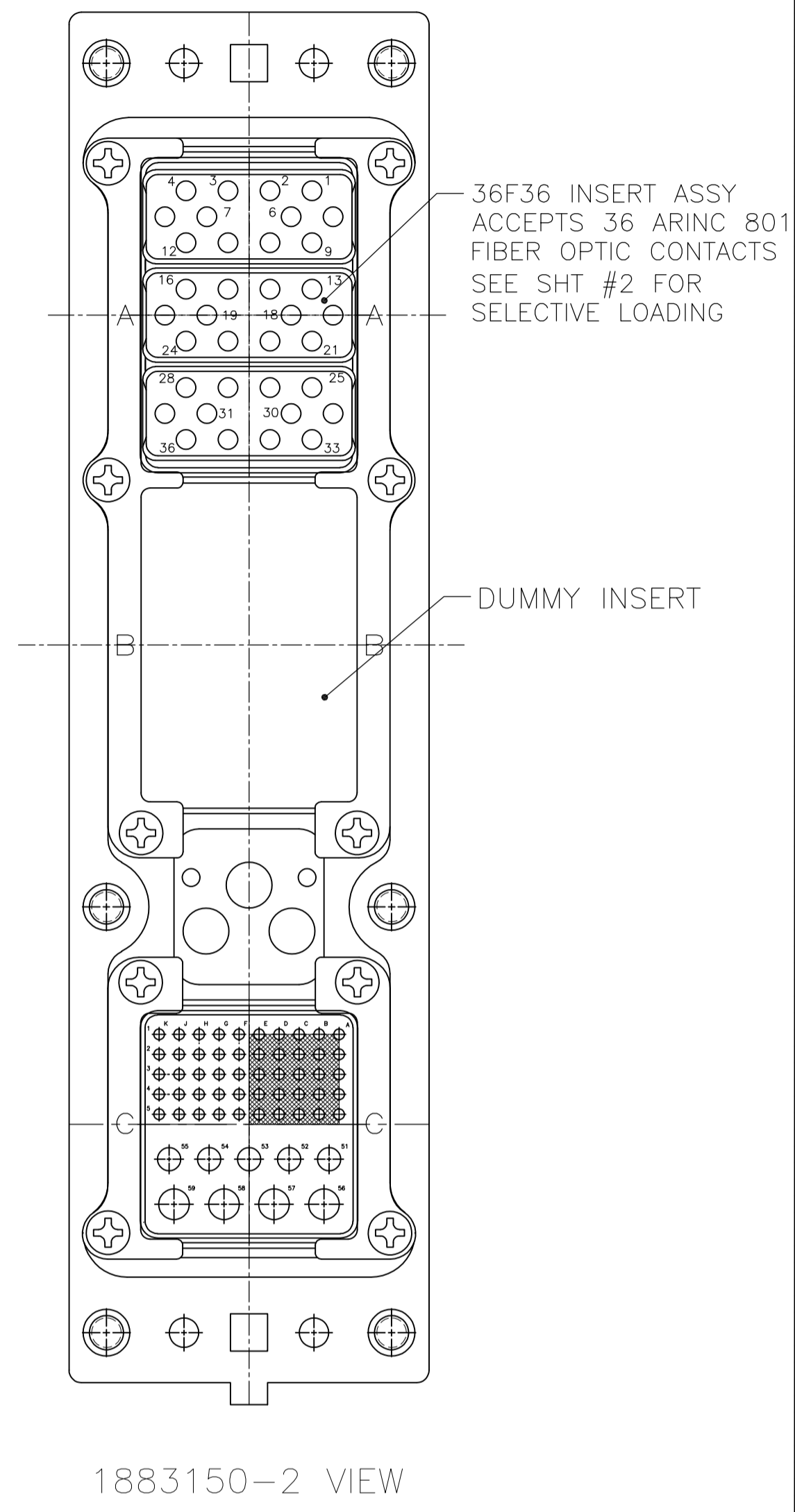
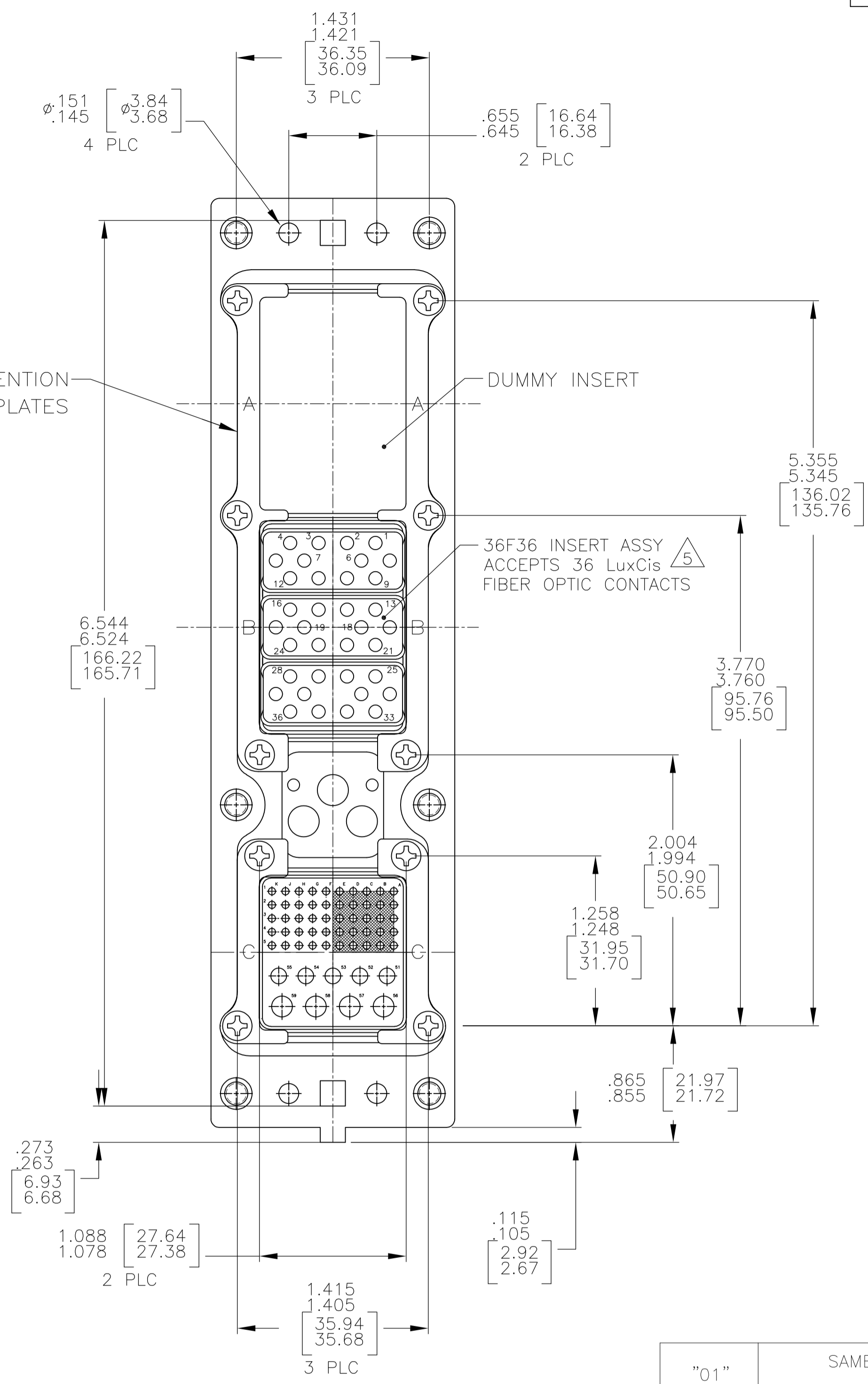
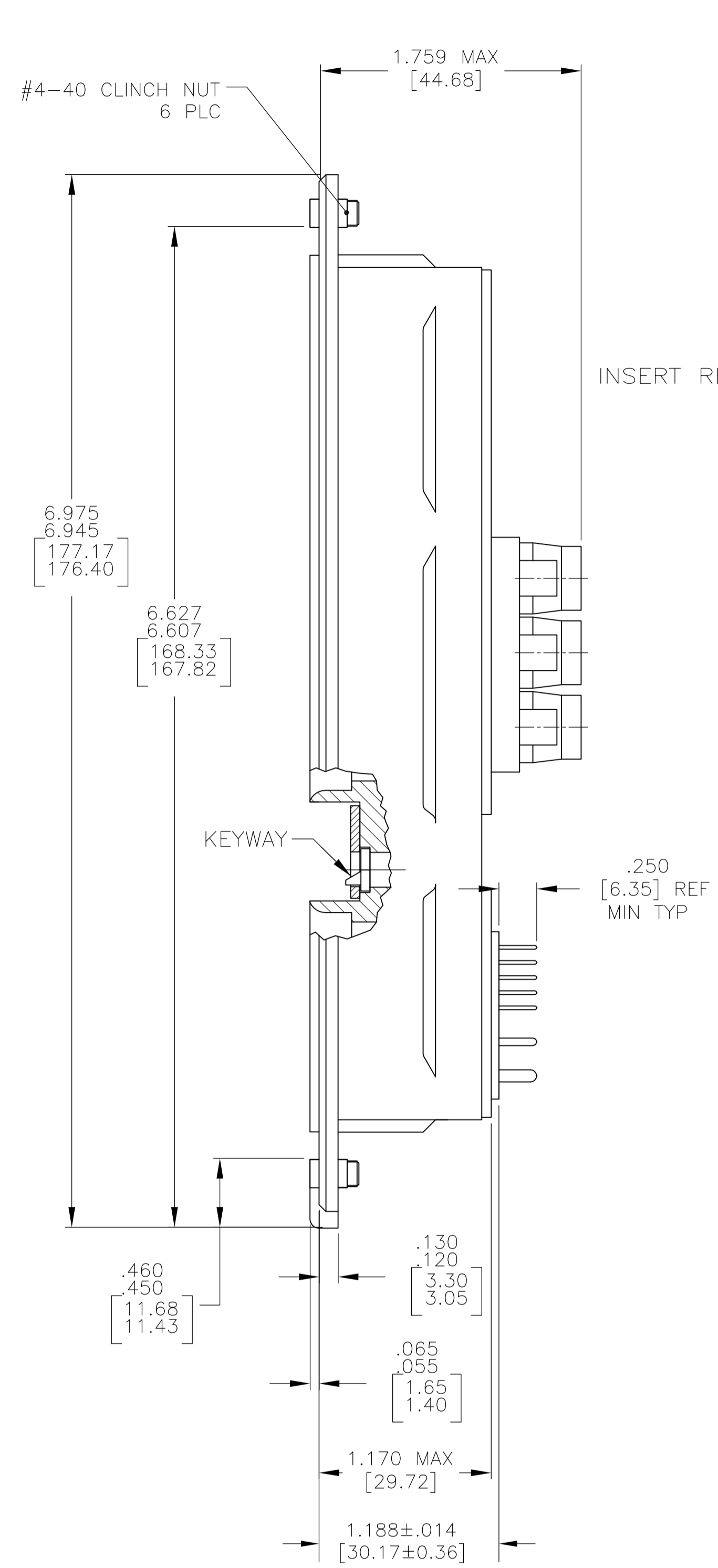
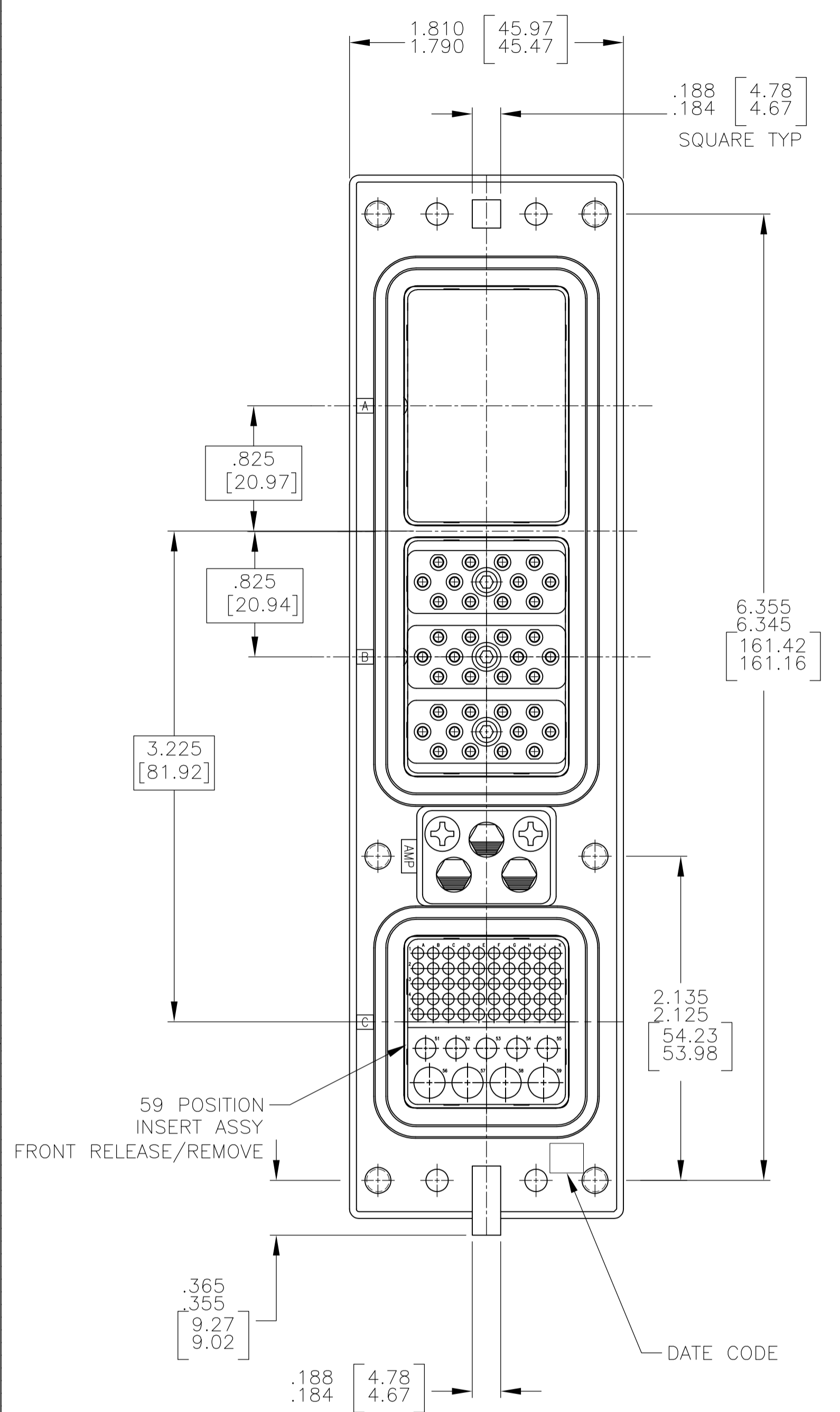


REVISONS		DATE	BY	APPV
F	LTR			
H	REV PER ECO-12-000109	24JAN12	PY	WB



- CONNECTOR DIMENSIONS ARE PER ARINC 600 SPECIFICATION.
- CONNECTOR IS SUPPLIED WITH CONTACTS (PER TABLE) ASSEMBLED AS SHOWN.
- KEYING SHOWN IN POSITION "01" FOR ILLUSTRATION ONLY. CONNECTORS SHIPPED WITH KEYING INSTALLED IN POSITION PER TABLE. FOR POSITION "00" KEYING HARDWARE SHIPPED UNASSEMBLED.
- MODULE B (-1), MODULE A (-2) (36F36) IS SUPPLIED WITHOUT CONTACTS. MUST BE ORDERED SEPARATELY.
- DUST COVER IS INSTALLED BUT NOT SHOWN.

COMPONENT	MATERIAL	FINISH
SHELL	DIE CAST ALUMINUM PER ASTM-B-85	ELECTROLESS NICKEL PER MIL-C-26074
INSERT RETENTION PLATES	ALUMINUM ALLOY PER ASTM-B-209	ELECTROLESS NICKEL PER MIL-C-26074
FLAT HEAD SCREWS AND LOCKWASHERS	STAINLESS STEEL	PASSIVATED
POLARIZING KEYS	ZINC ALLOY PER ASTM-B-86	-
POLARIZING KEY RETAINING PLATE	ALUMINUM ALLOY PER ASTM-B-209	BLUE ANODIZED PER MIL-A-8625
CLINCH NUT	STEEL	TRIVALENT CHROMATE OVER ZINC PLATE WITH MOLY LUBE
36F36 INSERT	THERMOSET OR THERMOPLASTIC PPS PER MIL-M-24519	-
DUMMY INSERT	ALUMINUM ALLOY PER ASTM-B-85	ELECTROLESS NICKEL PER MIL-C-26074
59 POSITION INSERT	THERMOSET OR THERMOPLASTIC PPS PER MIL-M-24519	-

"01"	SAME AS 1183150-2 EXCEPT USING TE 801 INSERTS	1883150-3
"01"	MODULE C 1663767-3 SZ 16 FILLER PLUG (QTY=5) 1663767-1 SZ 22 FILLER PLUG (QTY=15) 203839-2 SZ 16 SEALING PLUG (QTY=22) 211431-4 SZ 22 SOCKET CONTACT (QTY=35) 448140-3 SZ 12 PIN CONTACT (QTY=4) SELECTIVE LOADED (SEE SHEET #2) PURCHASED INSERTS USED IN THIS ASSEMBLY	1883150-2
"01"	MODULE C 211431-4 SZ 22 SOCKET CONTACT (QTY=50) 1-448139-1 SZ 16 PIN CONTACT (QTY=5) 448140-3 SZ 12 PIN CONTACT (QTY=4)	1883150-1
KEYING POSITION	CONTACTS INCLUDED AND INSTALLED	PART NUMBER

THIS DRAWING IS A CONTROLLED DOCUMENT. DIMENSIONS: INCHES. TOLERANCES UNLESS OTHERWISE SPECIFIED: 0 PLC ± .005, 1 PLC ± .004, 2 PLC ± .003, 3 PLC ± .002, 4 PLC ± .001, ANGLES ± .005.

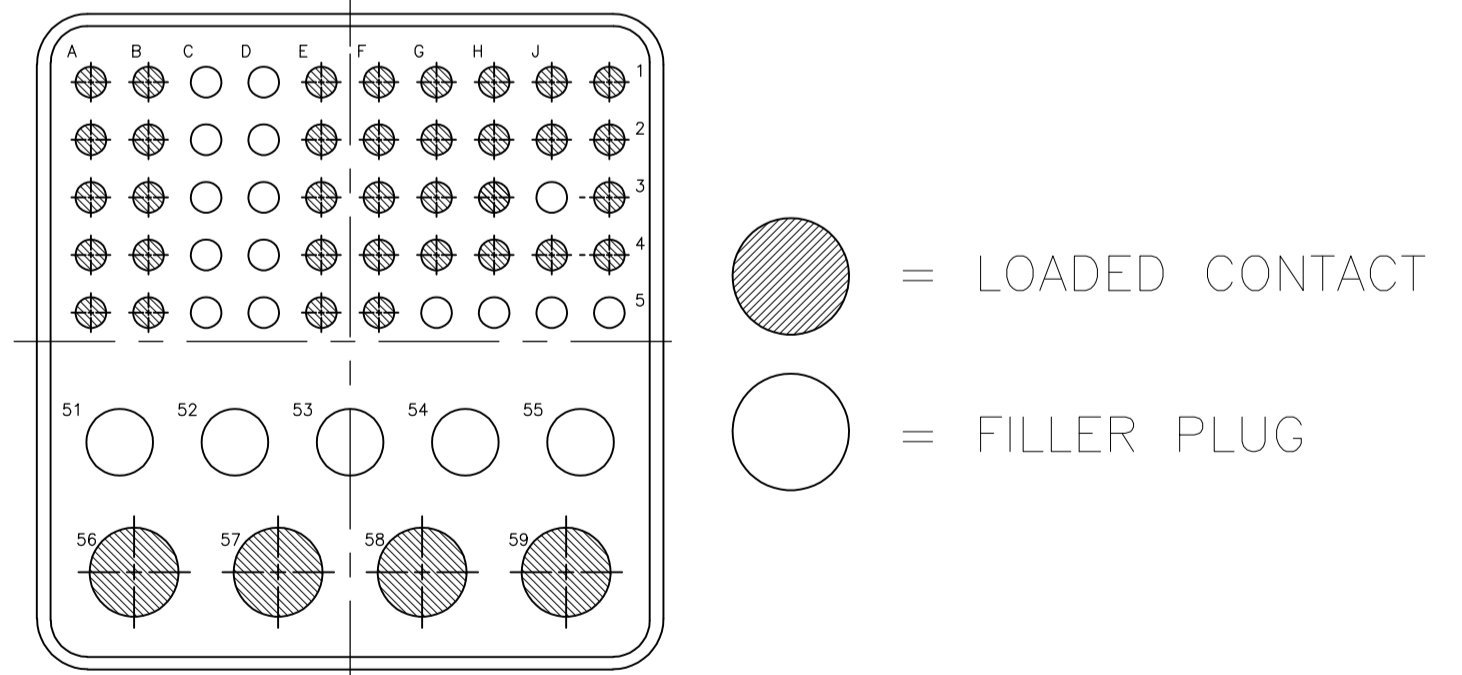
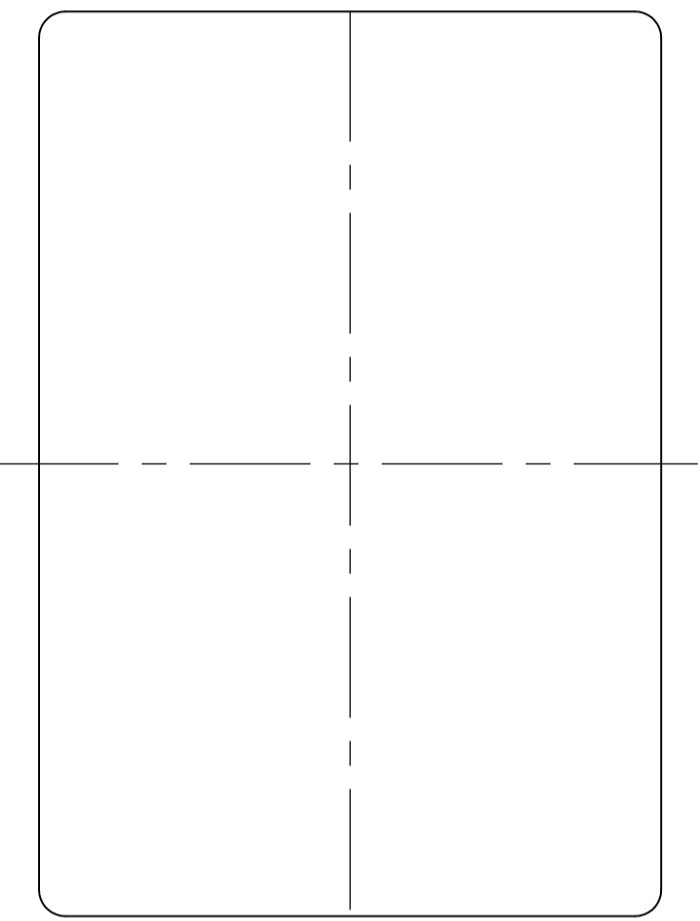
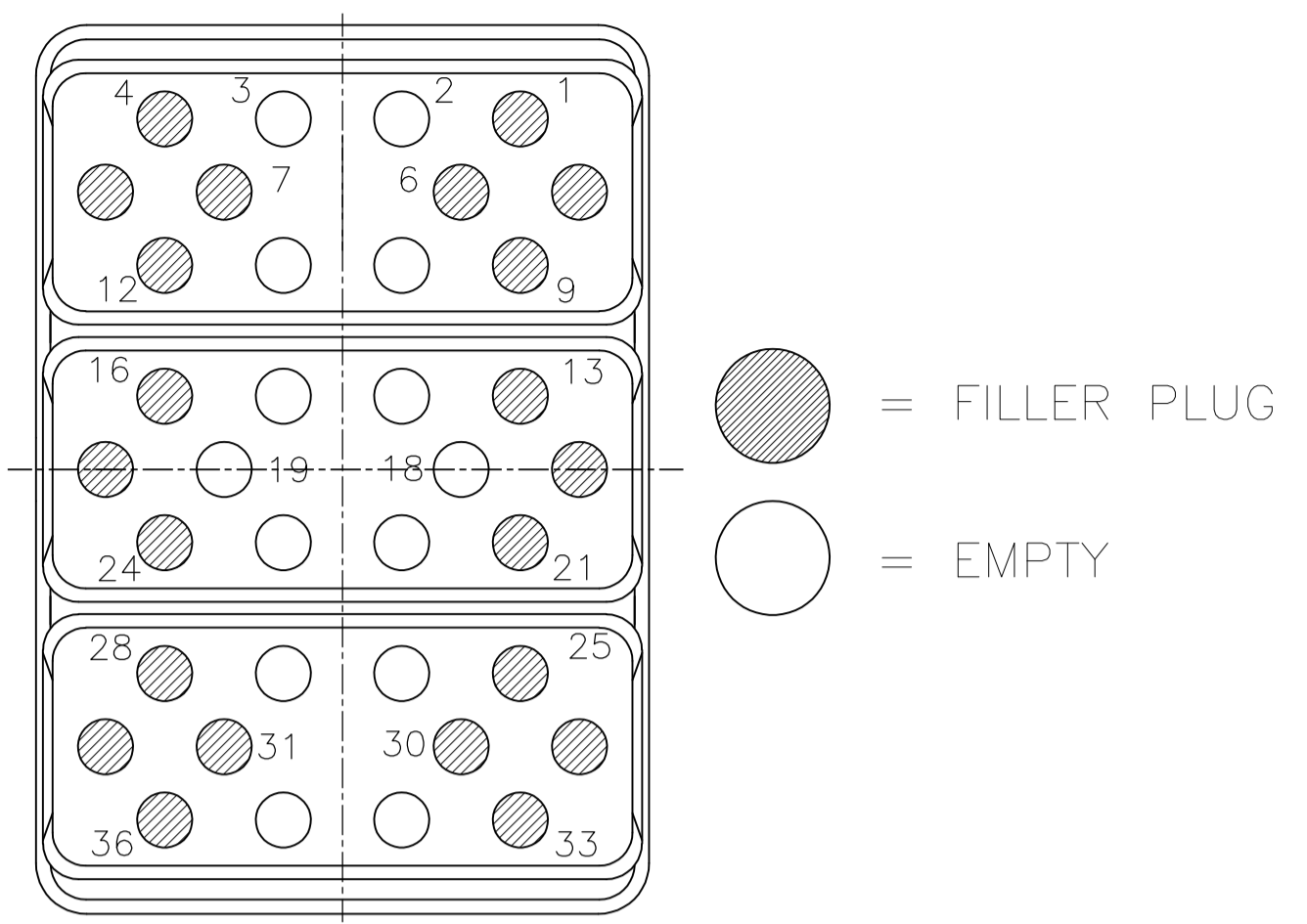
DIN: C.C.THOMAS 1-3-07, C.K.HOGAN 1-3-07, K.HOGAN 1-3-07

NAME: RCPT ASSY, SIZE 2, ARINC 600

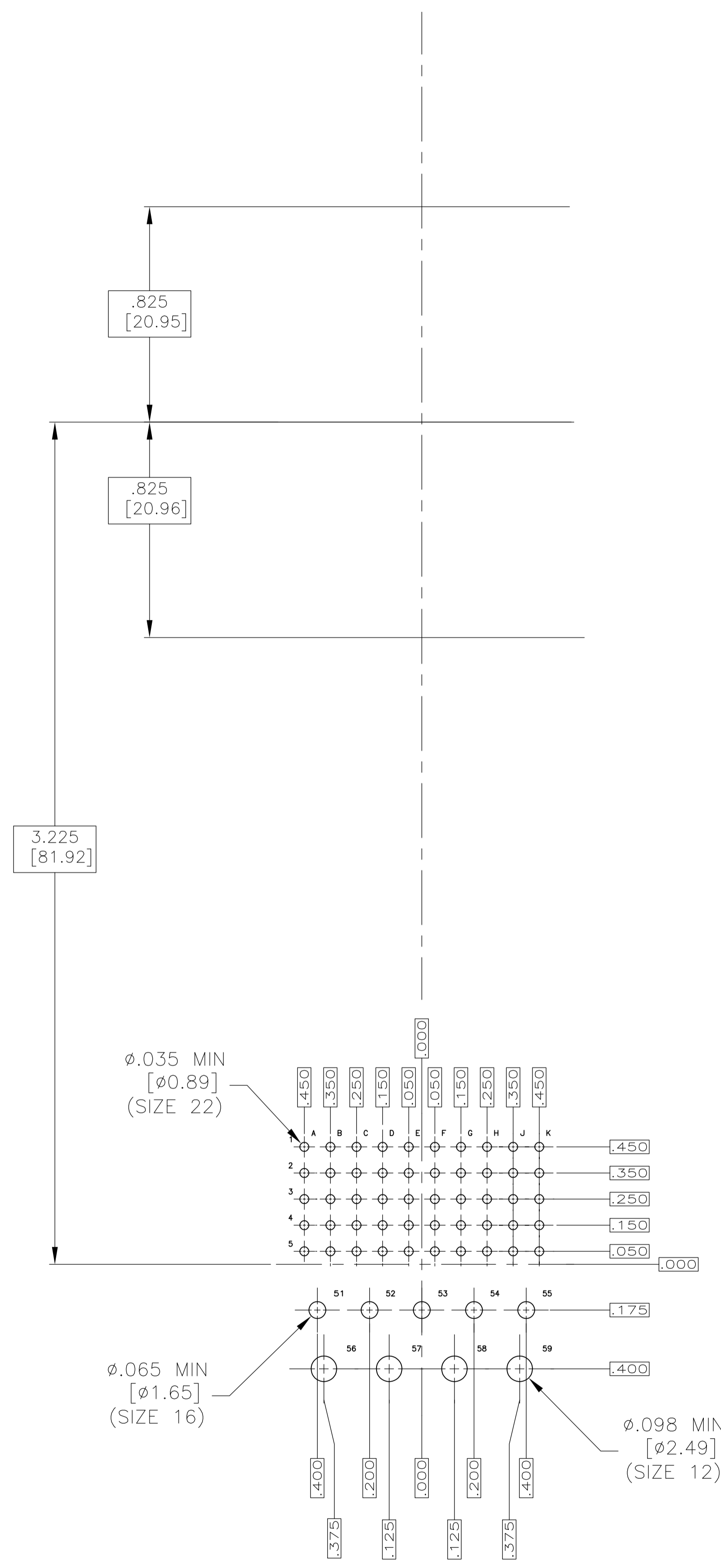
SIZE: A1, CAGE CODE: 00779, DRAWING NO: 1883150

SCALE: 1.5:1, SHEET: 1 OF 2, REV: H

LOC		DIST		REVISIONS			
P	LTR	DESCRIPTION	DATE	DNW	APVD		
-	-	SEE SHEET 1	-	-	-	-	-



1883150-2
SELECTIVE LOAD VIEW
SCALE 3:1



RECOMMENDED
P.C. BOARD LAYOUT
SCALE 3:1

THIS DRAWING IS A CONTROLLED DOCUMENT.		DIN C.C.THOMAS 1-3-07		TE Connectivity	
		CHK K.HOGAN 1-3-07			
DIMENSIONS: INCHES		TOLERANCES UNLESS OTHERWISE SPECIFIED:		NAME RCPT ASSY, SIZE 2, ARINC 600	
		0. PLC ± - 1. PLC ± - 2. PLC ± - 3. PLC ± - 4. PLC ± - ANGLES ± -		APVD K.HOGAN 1-3-07	
MATERIAL SEE TABLE		FINISH SEE TABLE		SIZE A1 CAGE CODE 00779 DRAWING NO. 1883150 WEIGHT - CUSTOMER DRAWING	
		SCALE 1.5:1		SHEET 2 OF 2 REV H	